

PLG series plugs are used for close-up unused entries. They feature a hexagonal recessed-type head to ensure the opening with proper tools only.



Classification: 2014/34/UE	Group II	Category 2GD
Installation: EN 60079.14	zone 1 - zone 2 (Gas)	zone 21 - zone 22 (Dust)
Marking:	CC 0722 Ex II 2 GD Ex db IIC Gb Ex tb IIIC Db IP66/67	
	CC 0722 Ex II 2 GD Ex eb IIC Gb Ex tb IIIC Db IP66/67	
Certification:	ATEX	CESI 02 ATEX 049X
	IECEX	IECEX CES 10.0001X
	TR CU	AVAILABLE
	CCC	AVAILABLE

All IEC Ex, CCC and TR CU certification data can be downloaded at www.cortemgroup.com

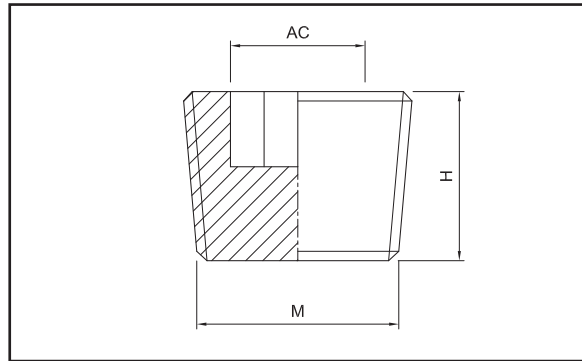
Standards:	CENELEC EN 60079-0: 2012+A11: 2013, EN 60079-1: 2014, EN 60079-7: 2015, EN 60079-31: 2014 and EUROPEAN DIRECTIVE 2014/34/UE IEC60079-0: 2011, IEC60079-1: 2007-04, IEC60079-7: 2006-07, IEC60079-31: 2008 Directive RoHS 2002/95/CE
-------------------	--

Degree of protection:	IP66/67
------------------------------	---------

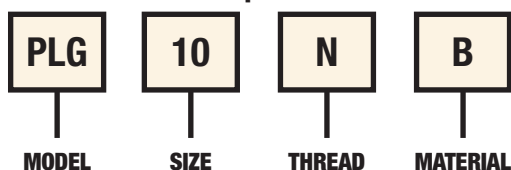
Operating temperature:

Close-up plugs	Material	Ambient temperature
PLG...	Galvanised steel (G)	-20°C +80°C
PLG...	Nickel-plated brass (B), Aluminium alloy (A)	-40°C +150°C
PLG...	Stainless steel (S)	-60°C +150°C

Certificates are available on www.cortemgroup.com


SELECTION TABLE FOR PLUGS WITH STANDARD CONICAL THREAD

Code	Thread M	Dimensions in mm		Material	Weight
		AC	H		Kg
PLG02NG	1/4" NPT	8	23	Galvanised steel	0,014
PLG01NG	3/8" NPT	8	14	Galvanised steel	0,024
PLG1NG	1/2" NPT	13	18	Galvanised steel	0,034
PLG2NG	3/4" NPT	17	18	Galvanised steel	0,054
PLG3NG	1" NPT	19	24	Galvanised steel	0,124
PLG4NA	1 1/4" NPT	24	24	Aluminium	0,061
PLG5NA	1 1/2" NPT	35	24	Aluminium	0,063
PLG6NA	2" NPT	36	24	Aluminium	0,109
PLG7NA	2 1/2" NPT	50	30	Aluminium	0,169
PLG8NA	3" NPT	50	30	Aluminium	0,242
PLG10NA	4" NPT	85	30	Aluminium	0,489
PLG12NA	5" NPT	102	32	Aluminium	0,735
PLG14NA	6" NPT	119	32	Aluminium	1,00
PLG02G	1/4" ISO 7/1	8	23	Galvanised steel	0,014
PLG01G	3/8" ISO 7/1	8	14	Galvanised steel	0,024
PLG1G	1/2" ISO 7/1	13	18	Galvanised steel	0,034
PLG2G	3/4" ISO 7/1	17	18	Galvanised steel	0,054
PLG3G	1" ISO 7/1	19	24	Galvanised steel	0,124
PLG4A	1 1/4" ISO 7/1	24	24	Aluminium	0,061
PLG5A	1 1/2" ISO 7/1	35	24	Aluminium	0,063
PLG6A	2" ISO 7/1	36	24	Aluminium	0,109
PLG7A	2 1/2" ISO 7/1	50	30	Aluminium	0,169
PLG8A	3" ISO 7/1	50	30	Aluminium	0,242
PLG10A	4" ISO 7/1	85	30	Aluminium	0,489
PLG12A	5" ISO 7/1	102	32	Aluminium	0,735
PLG14A	6" ISO 7/1	119	32	Aluminium	1,00

Order code example

TECHNICAL NOTES:

- Available also in stainless steel (example code **PLG3S**)
- Available also in nickel plated brass (example code **PLG1B**)
- Available also in aluminium (example code **PLG2A**)
- Available also in galvanized steel (example code **PLG6G**)