

40-100W LED Explosion proof light



Technical Parameters

Type	GYD930		
European (ATEX)	ECM 24 ATEX-B US81	CE 1282 Ex II 2G Ex db IIC T6 Gb	
Gas and Dust		CE 1282 Ex II 2D Ex tb IIIC T80°C Db	
Power consumption [W]	40W / 50W / 60W / 80W / 100W	Weight	3.8 / 6.0 / 8.1 kg
Rated voltage	100-240VAC, 50-60Hz	Beam angle	120°
Colour rendering [CRI]	70 (±2)	IP Degree	IP66
Colour temperature [K]	6000-6500	Conduit Entries	G 3/4"
Luminaire efficiency	[Lm/W] 115 - 130	Terminal	≤2.5 mm ²
Mounting Styles	Ceiling; Wall Bracket; Pendant		

Features:

- * Zone 1&2, Zone 21&22.
- * Instant on crisp white light output.
- * Multi choice of beam angle for 45° 90° 120°.
- * Isolated LED compartment reduces temperature within driver housing.
- * High efficiency drivers and LEDs provide, low cost operation in harsh and heavy industrial applications.

GYD930-0/1

GYD930-2

GYD930-3/4

40-50W



60W

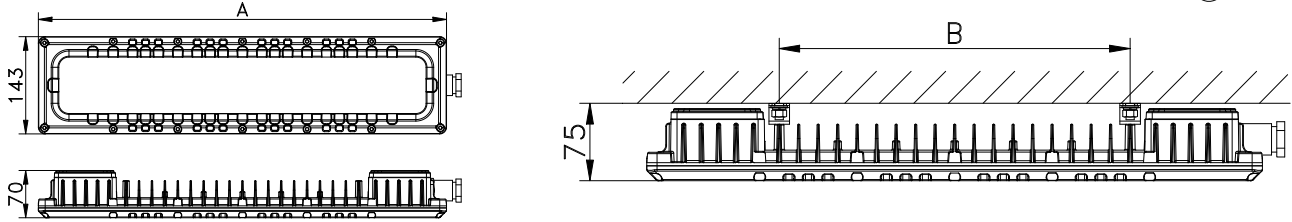


80-100W



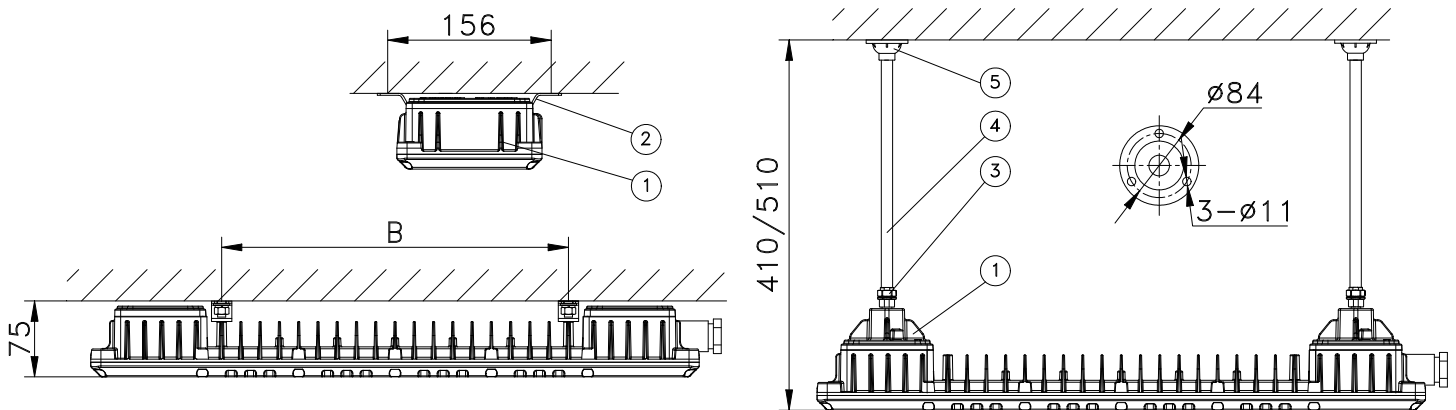
40-100W LED Explosion proof light

Dimension [mm]



Type	Lamp Power	Lumen (lm)	AxB (mm)	B.Weight (kg)
GYD930-0	40W	4.800	400*140	3.80
GYD930-1	50W	6.000	400*140	3.80
GYD930-2	60W	7.200	600*340	6.00
GYD930-3	80W	9.600	900*640	8.10
GYD930-4	100W	12.000	900*640	8.10

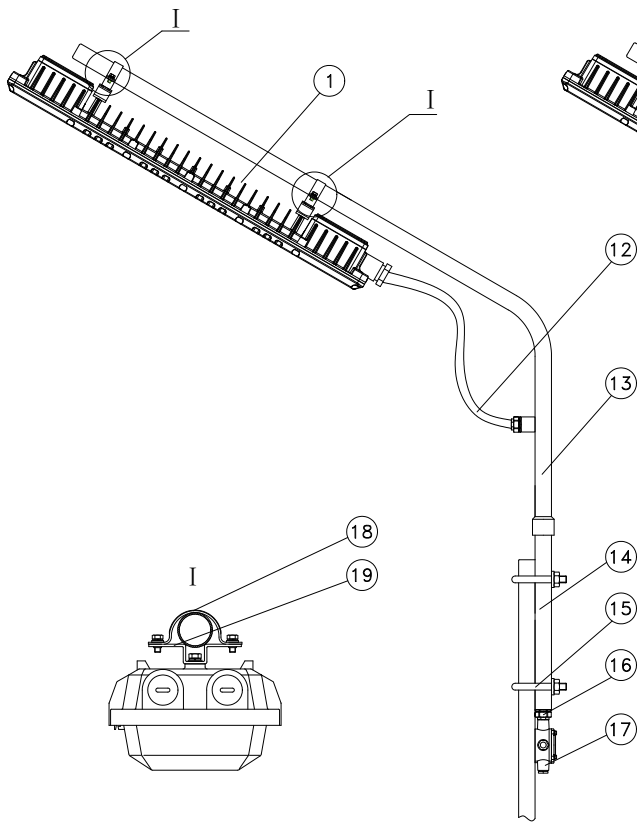
Installation



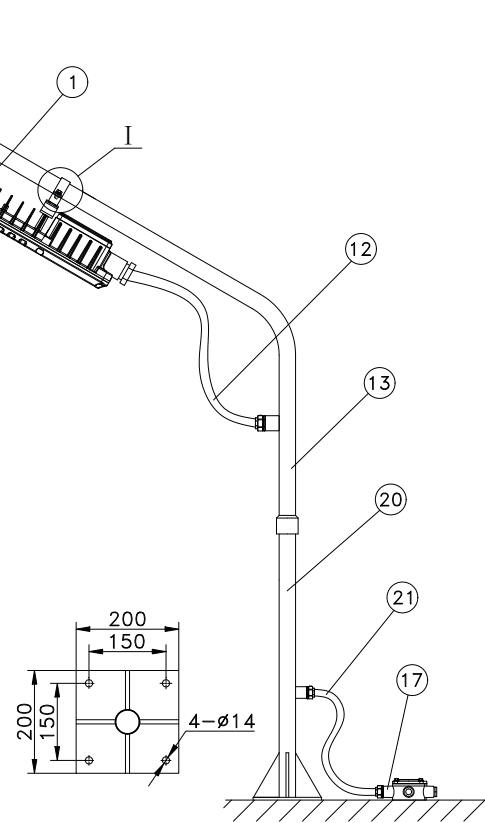
Ceiling

Pendant

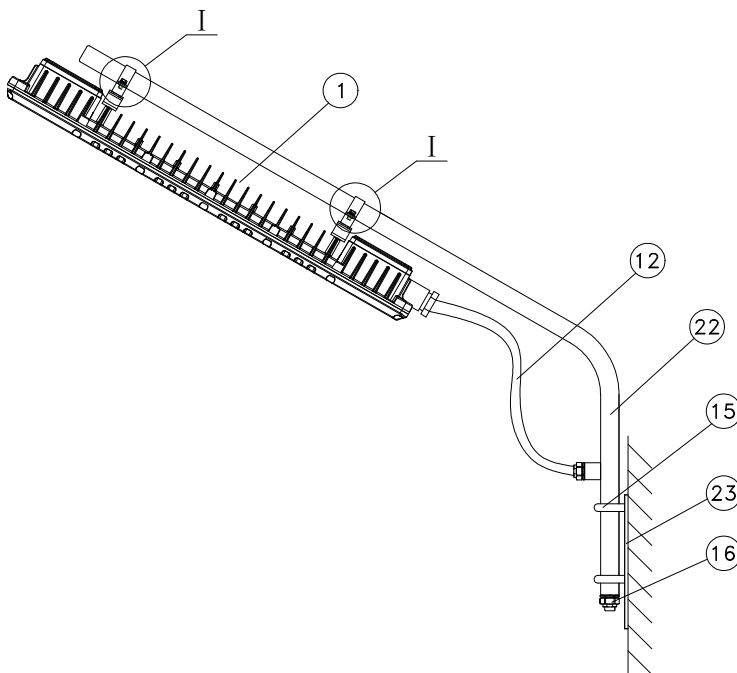
40-100W LED Explosion proof light



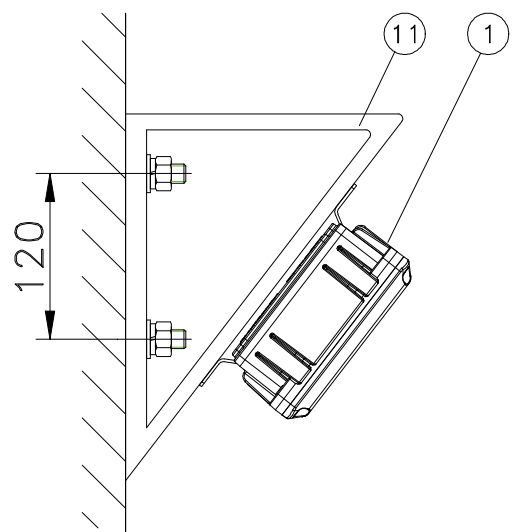
Stanchion(in Guardrail)



Stanchion(with Flange)



Stanchion(On Wall)



Wall Type