

## 50-240W Explosion proof Led Light



### Technical Parameters

<b>Type</b>	<b>GYD620</b>		
<b>European (ATEX)</b>	ECM 21 ATEX-B D077	CE 1282	II 2G Ex d e IIC T6
<b>Gas and Dust</b>	ECM 21 ATEX-E D078	CE 1282	II 2D Ex tb T80°C
<b>Rated voltage</b>	100-240VAC, 50-60Hz	<b>Beam angle</b>	120°
<b>Luminaire efficiency</b>	[Lm/W] 120 - 130	<b>Conduit Entries</b>	G 3/4"
<b>IP Degree</b>	IP66	<b>Terminal</b>	≤2.5 mm <sup>2</sup>
<b>Mounting Styles</b>	Pendant; Ceiling; Wall Bracket; Stanchion		

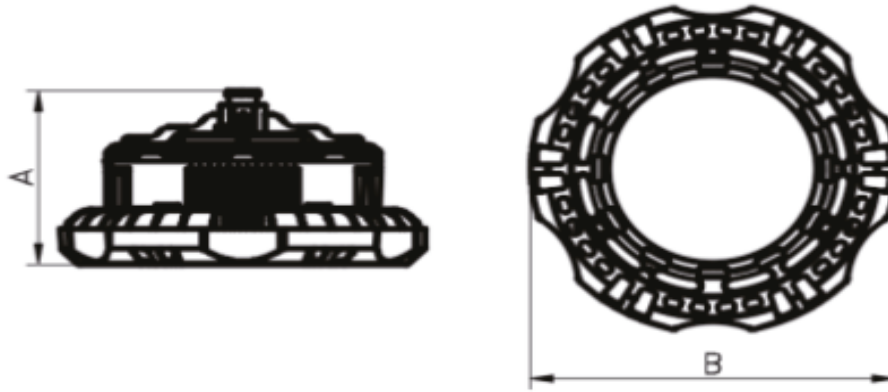
Model	GYD6201	GYD6202	GYD6203	GYD6204	GYD6205
<b>Power consumption [W]</b>	50W	100W	150W	200W	240W
<b>Size (mm)</b>	270*270*170	320*320*170	360*360*170	360*360*170	400*400*175
<b>Weight [kg]</b>	5.25	6.50	8.60	8.60	10.70

### Features:

- \* Zone 1&2, Zone 21&22.
- \* Instant on crisp white light output.
- \* High efficiency drivers and LEDs provide, low cost operation in harsh and heavy industrial applications.
- \* Isolated LED compartment reduces temperature within driver housing.
- \* Dense cooling fins design enhances airflow for greater heat dissipation.
- \* 5 year fixture warranty.

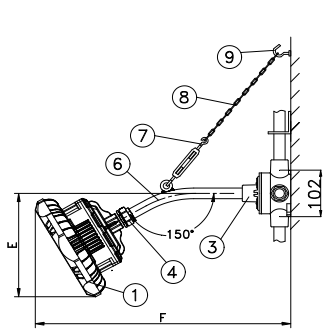
## 50-240W Explosion proof Led Light

### Dimension & Installation [mm]

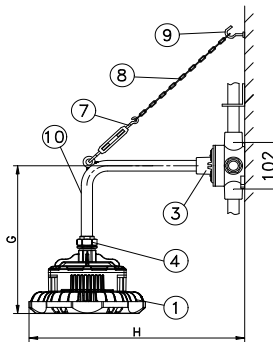


Type	A (mm)	B (mm)
GYD6201	170	Ø270
GYD6202	170	Ø320
GYD6203	170	Ø360
GYD6204	170	Ø360
GYD6205	175	Ø400

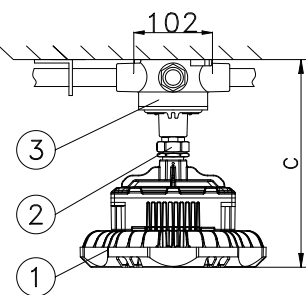
### Installation



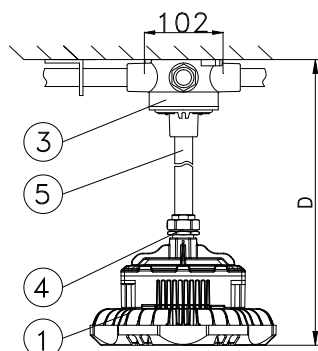
Wall Mount



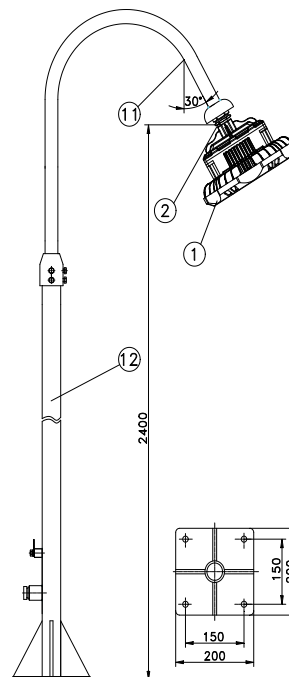
Wall Mount



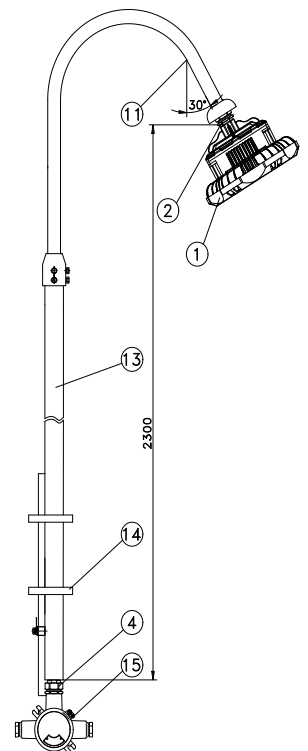
Ceiling



Pendant



Fence Stanchion



Flange Stanchion