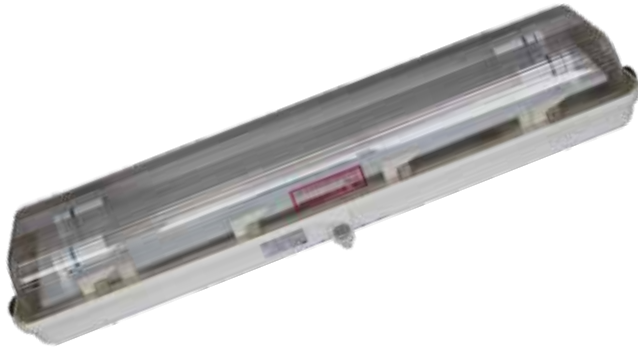


Explosion proof Linear Light



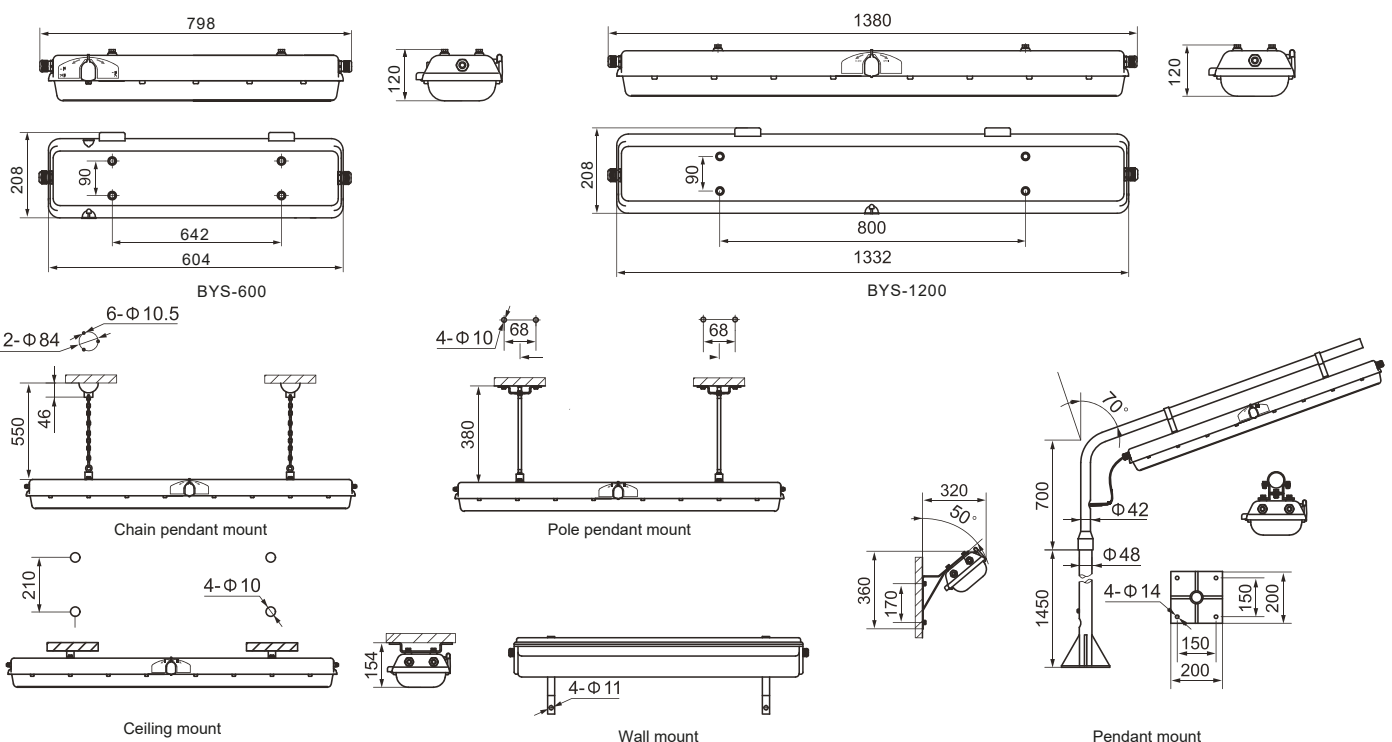
Features:

- * Zone 1&2, Zone 21&22.
- * GRP enclosure, corrosion-proof, PC lampshade, strip-shaped, anti-glare.
- * Built-in explosion proof interlock device, automatically power-off after cover open.
- * Lamp adopt curve sealed structure, high waterproof and dust proof class.
- * Lightweight and slim line construction.
- * The emergency device can be equipped at the request of users.

Technical Parameters

Type	BYS-600	BYS-1200 / BYS-1200-EM (180 min.)
European (ATEX)	ECM 21 ATEX-B D077	CE 1282 Ex II 2GD Ex d e IIC T6 Gb
Input voltage	110VAC ; 220VAC, 50-60Hz	
T8 Fluorescent tube	(1~2)*18W(1350Lm, 75lm/W)	(1~2)*36W(2700Lm, 75lm/W) (With Ballast)
T5 Fluorescent tube	(1~2)*14W(1350Lm, 96lm/W)	(1~2)*28W(2100Lm, 75lm/W) (With Ballast)
LED tube	(1~2)*8W(800Lm, 100lm/W)	(1~2)*18W(1800Lm, 100lm/W) (Without Ballast)
Degree of protection	IP66	
Size	L798* W208*H120	L1380* W208*H120
Mounting Styles	Pendant; Ceiling; Chain; Wall; Stanchion	

Dimension & Installation [mm]



Explosion proof Linear Light



BYS-1200-EM Emergency Kit



Model: ZX-ZLZD-E22W
 Input Voltage: 220VAC 50Hz
 Duration Time: 90min/180min
 Main power consumption: 22W
 Installation: fix in the lamp, or connect with the lamp
 Weigh: 0.5 kg
 Working Temperature: -20°C to 60°C
 Product size(emergency kit): 160*30mm

BYS-1200-EM Emergency Diagram:

