




Explosion proof Plug&Receptacle



European (ATEX)	ECM 20 ATEX-B CW61 / ECM 20 ATEX-E CW62		
Ex-proof mark	CE 1282 Ex II 2GD Ex de II C T6 Gb / DIP A21 TA,T6 IP66		
Rated voltage	220/380VAC	IP Degree	IP66
Rated Current [A]	16A	32A	63A
Entries	M25*1.5 (suitable for Φ8mm-Φ17mm cable)	M40*1.5 (suitable for Φ13mm-Φ27mm cable)	M40*1.5 (suitable for Φ13mm-Φ27mm cable)
The cable for plug	Φ8mm-Φ19mm	Φ12mm-Φ28mm	Φ12mm-Φ28mm

Type	Rated Voltage	Rated Current	Poles	Schematic diagram
AC8060-16	220V	16A	1P+N+PE	
AC8060-32	380V	32A	3P+N+PE	
AC8060-63	380V	63A	3P+N+PE	

Note: linker used for connecting distance-cable, linker current is only limited to 16A.

Standard Materials:

Housing: GRP

Exterior: Stainless steel

Explosion proof Plug&Receptacle

Features:

- * Zone 1&2, Zone 21&22.
- * The enclosure is made of high rigid, flame-proof engineering plastic with the functions of electrostatic-resistant, impulsion-withstanding, thermal stability and corrosion-proofing.
- * With interlocks, only if the switch inside socket is off, the plug can be brought out.
- * Provision is made to offer padlock on socket. If out of operation, the socket cover can't be opened by pad lock, so that local inspection and is are easy.

Applications:

- * A wide range of hazardous areas where ignitable vapors, dust, moisture and corrosive elements are present
- * Areas requiring frequent on-and-off of lights or power cycling no warm up time required
- * Areas with high energy costs
- * Typical applications include:

Oil and gas industries

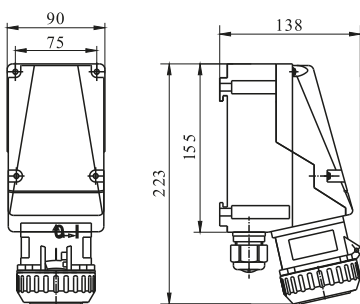
Chemical, petrochemical

Pharmaceutical industries

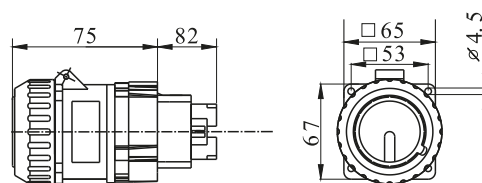
Pulp and Paper

Waste and sewage treatment

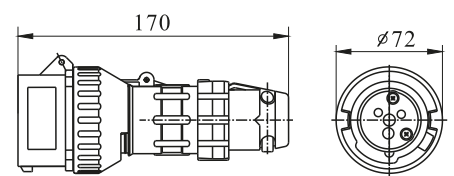
Dimension & Installation [mm]



Wall Mount



Panel Mount



Plug