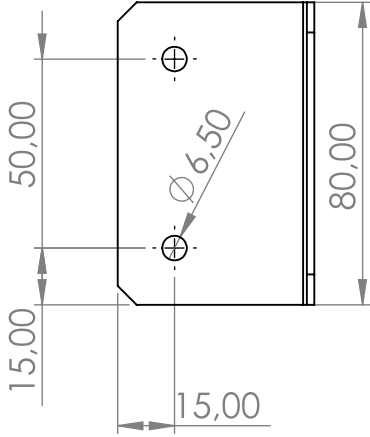
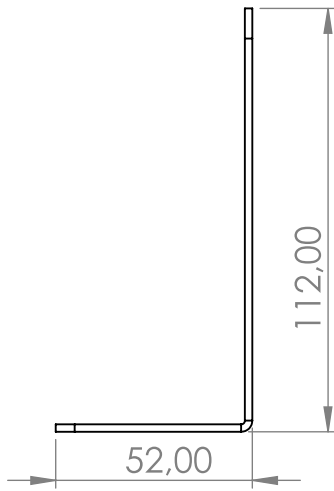


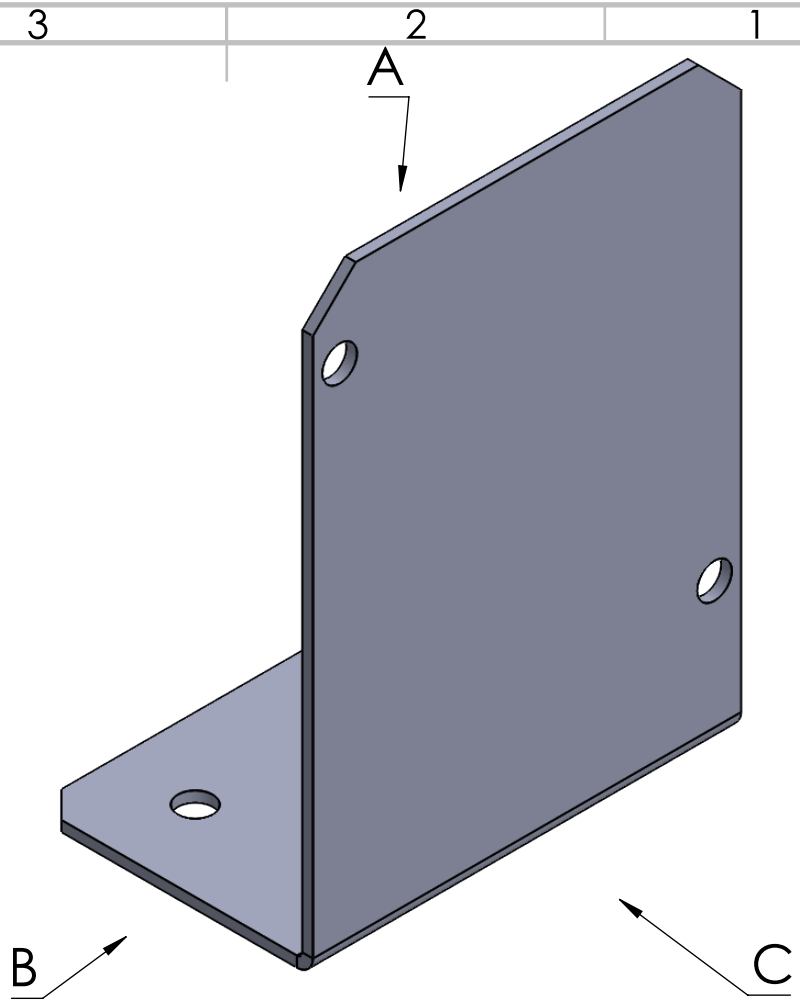
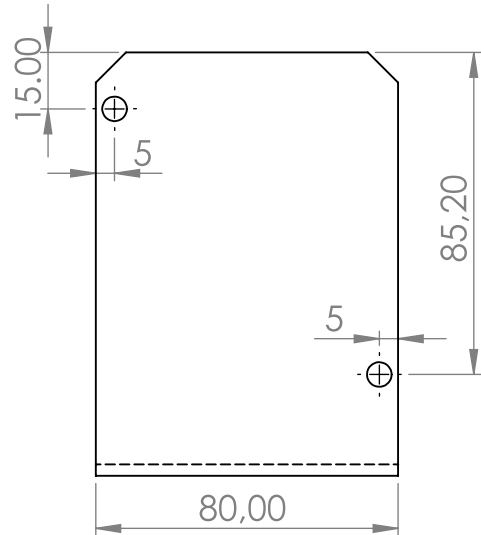
TOP VIEW-A



SIDE VIEW-B



REAR VIEW-C



ALL DIMENSIONS
ARE IN mm
UNLESS OTHERWISE
NOTED

PROJECT NAME:

REVISION -A

MATERIAL

2 mm METAL PLATE
ELECTRO-GALVANIZED COATED

DESCRIPTION

**MOUNTING PLATE
FOR M-S... J.BOX**

MATERIAL CODE

MP-26

A4



SCALE

PAGE 1 / 1