

LOCAL CONTROL STATIONS SERIES PB

series
PB

Protection	Gas	Zone	1-2	II2G	Ex db IIC o IIB+H ₂ T6÷T4 Gb
	Dusts		21-22	II2D	Ex tb IIIC T85°C÷T135°C Db

Degree of Protection	IP66
----------------------	------

Amb. Temp.	Standard	-20°C	+40°C
	Extended	-50°C	+80°C



Entries Threading	NPT ANSI B1.20
-------------------	----------------

Material	Aluminum light alloy
----------	----------------------

Painting	External epoxy RAL3000
----------	------------------------

Standards and Certificates

Directive 2014/34/EU (ATEX)

EN 60079-0 • EN 60079-1
EN 60079-31

CE **BVI 15 ATEX 0020**

IEC 60079-0 • IEC 60079-1
IEC 60079-31

IECEx EPS 14.0104

- To be used either as Pushbutton or as Local Control Station.
- Fully configurable through a huge variety of COELBO elements.
- External screws in Stainless Steel AISI 304 (On request AISI 316L)

- Options**
- Push button protection in silicon rubber, colors: white, red, black.
 - Cable entries Isometric M25x1,5 (or M32x1,5 for PB 4 only) (M).
 - Anticorrosion technology: ALUMINOX (see section A).
 - Full execution in stainless steel AISI 316L (including the external fittings)

CONTACT ELEMENTS TECHNICAL DATA:

- Nominal current : 10 A
- Nominal Isolation Voltage : 660 V
- Nominal pulse Voltage : 6 kV
- Short circuit protection U_e<500 Vac : Cartridge Fuse 10 A
- Terminals ID : according to IEC/EN 60947-1
- Screw type joining terminals with captive clamp
- Max wires section: : 2x2,5 mm²
- Self cleaning contacts : EN01(NC) EN10(NA)
- Working cycles: : 1800 operations / hr (max)

AC15 - A600			
Voltage (V)	24	240	400
Current (A)	10	6	4
DC13 - Q600			
Voltage (V)	24	125	250
Current (A)	2.8	0.55	0.27

NOTES

Installation and maintenance instructions shall be carefully read

Local Control Station PB 1 and PB 2 only belong to gas group IIC while models PB 3 ed PB 4 belong to group IIB+H₂.

The combinations of the various elements on the local control stations shall be compatible with the dimensions and the characteristics of the selected elements.

The rated voltage of the signal lamps shall be at least 20% higher than the line voltage.

(°) It is suggested the use of LED lamps only.

(*) On request the control may be provided with a potentiometer.

Electrical Data

Manipulators

- Nominal AC Voltage : 400 V
- Nominal Current : 10 A

Signalling Lamps

- Max Nominal AC Voltage : 260 V
- Suggested lamp type : LED

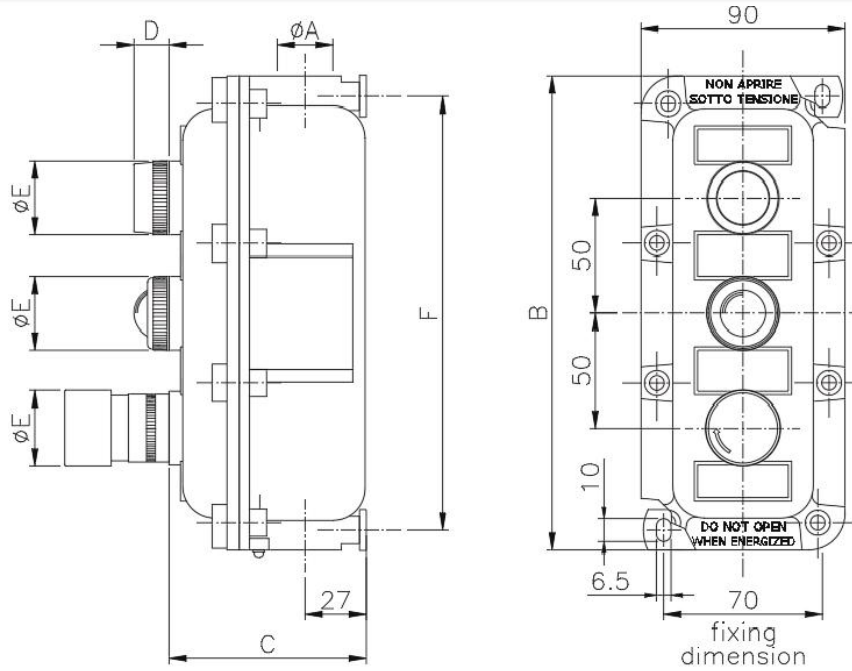
Illuminated pushbuttons

- Max Voltage : 230 V AC/DC
- Max Power : 2 W

Command/signaling unit type	Temperature class		Max ambient temperature range
	Gas	Dust	
Halogen lamps (°)	T6	T85°C	-50°C÷+50°C
	T5	T100°C	-50°C÷+65°C
	T4	T135°C	-50°C÷+80°C
LED lamps (°)	T6	T85°C	-50°C÷+60°C
	T5	T100°C	-50°C÷+80°C
Only with command units	T6	T85°C	-50°C÷+80°C

LOCAL CONTROL STATIONS

series
PB



Enclosure	Elements	Cable Entries		B	C	F	Enclosure weight (g)
		ØA	n				
PB1	1	3/4" NPT	2	106	87	86	480
PB2	2	3/4" NPT	2	156	87	136	685
PB3	3	3/4" NPT	2	206	87	186	890
PB4	4	1" NPT	2	256	82	236	1520

Element	Symbol	Dimensions (mm)		Contacts	Weight (g)
		D	ØE		
START pushbutton	1	16	32	1NO	90
STOP pushbutton	0	16	32	1NC	90
Lighting START pushbutton	1R-1B-1V-1G-1A	16	32	1NO	130
Lighting STOP pushbutton	0R-0B-0V-0G-0A	16	32	1NC	130
Mushroom type push button with spring return	5	30	50	1NO+1NC	100
Key switch 1-2 poles (pos. 0-1)	7/1-7/2	60	30	-	400
Two position key changeover switch 1-2 poles (pos. 1-2)	7/1D - 7/2D	60	30	-	400
Three position key changeover switch 1-2 poles (pos. 1-0-2)	7/1C - 7/2C	60	30	-	400
Triangular Key switch 1-2 poles (pos. 0-1)	9/1-9/2	50	41	-	370
Two position triangular key changeover switch 1-2 poles (pos. 1-2)	9/1D - 9/2D	50	41	-	370
Three position triangular key changeover switch 1-2 poles (pos. 1-0-2)	9/1C - 9/2C	50	41	-	370
Mushroom type push button with locking	8	30	50	1NO+1NC	100
Mushroom type push button with rotary locking	8R	58	33	1NO+1NC	180
Mushroom type push button with locking and keylock	8K	58	33	1NO+1NC	180
Pilot light	R-B-V-G-A	16	32	-	130
Switch 1-2 poles (pos. 0-1)	I1-I2	22	32	-	300
Two way changeover switch 1-2 poles (pos. 1-2)	D1-D2	22	32	-	300
Three way changeover switch 1-2 poles (pos. 1-0-2)	C1-C2	22	32	-	300
Potentiometer control (single turn) (*)	P	16	15	-	-
Potentiometer control (multiturn) (*)	PM	18	35	-	-

Example: PB 4 108RR

Order Coding

Type

PB

Enclosure Size

- 1** = 1 element
- 2** = 2 elements
- 3** = 3 elements
- 4** = 4 elements

Code of installed elements (max. 4)
see table above

- 1** = START pushbutton
- 0** = STOP pushbutton
- 8R** = mushroom type pushbutton with rotary locking
- R** = RED pilot light

Threading

- = NPT (std.)
- M** = Metric

JUNCTION BOXES SERIES PB - APPLICATIONS EXAMPLES

PB 2 1LV8R



JUNCTION BOXES
WITH
START PUSHBUTTON
AND
MUSHROOM TYPE PUSH BUTTON WITH SPRING RETURN

PB 3 01V



JUNCTION BOXES
WITH
RED STOP PUSHBUTTON
WHITE START PUSHBUTTON
AND
PILOT LIGHT

SPECIAL APPLICATIONS

PB 1 8RP /D



JUNCTION BOXES
WITH
MUSHROOM TYPE PUSH BUTTON
AND
PROTECTIVE ALUMINIUM GUARD WITH S.ST. DISC

PB 1 8GRD



JUNCTION BOXES WITH
MUSHROOM TYPE PUSH BUTTON
AND
PROTECTIVE PLASTIC GUARD WITH LOCKABLE BRACKET