

LED

IP 66



- Used for marking escape routes and exits in potentially explosive atmospheres.
- Self-test, monitoring and diagnostics reduce costly maintenance checks.
- >3h autonomy
- Maintained / Non maintained operation
- Possibility of supplies with DALI compatible ballast
- Ni-MH 3,6V/2.2Ah, build in light fitting, microprocessor controlled charging, discharging and control of battery

# FLXE 118 LED



## CONSTRUCTION

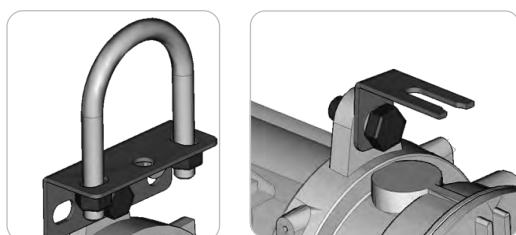
Housing: aluminium powder painted casting  
 Diffuser: borosilicate glass tube,  
 Gasket: silicon  
 The light fitting is normally supplied with two entries M20 and wall/sealing mounting set

## TECHNICAL DATA

<b>Certificate:</b>	FIDI 19 ATEX 0028 EAC RU C-HR.AB24.B.03252
<b>Marking:</b>	CE 0722
<b>Apparatus category:</b>	II 2G II 2D
<b>Marking of explosion protection:</b>	Ex db eb op is IIC T6 Gb Ex tb op is IIIC T80°C Db
<b>Ambient temperature:</b>	-20°C ≤ T <sub>a</sub> ≤ +40°C / +50°C
<b>Degree of protection:</b>	IP 66 category 1
<b>Resistance to shock:</b>	IK 08
<b>Protection class :</b>	I (protective earthing)
<b>Rated voltage:</b>	220-240 V 24V, 110V AC/DC on request
<b>Frequency:</b>	50Hz / 60Hz
<b>Rated power:</b>	2W battery operation / 5W mains supply operation
<b>Luminous flux:</b>	200lm / 400lm
<b>Connecting terminals:</b>	L1, L2, L3, N; max. 2 x 2,5 mm <sup>2</sup> PE terminal ; max 2x6mm <sup>2</sup> External PA terminal -PA; max 2x6mm <sup>2</sup>
<b>Cable entry:</b>	2 x M20 or 2 x 3/4"NPT or 2 x M20, with one Ex d plugs and one adapter type ADP 03/24 for cable φ6-15 mm
<b>Weight:</b>	4kg

## MOUNTING

Pendant, on pipe, wall, ceiling mounting . Operates in any position.



# Emergency LED light fitting

## MODEL CODE

### FLXE 118 LED

#### Pictogram

0	Without	5	
1		6	
2		7	
3		8	
4			

#### Cable entry:

- 0 ... Ex d cable entry 2 x M20x1,5
- 1 ... Ex d cable entry 2 x 3/4" NPT
- 2 ... Ex de adapter ADP 24 (for cable 6-15mm)
- 3 ... 2x Ex de adapters ADP 24 (for cable 6-15mm)

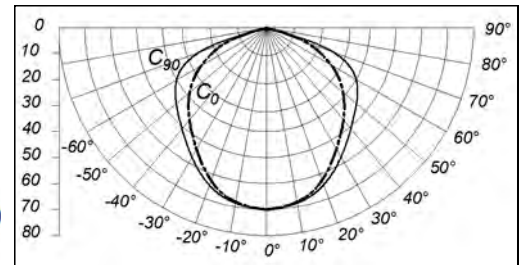
#### Rated voltage:

- 0 ... 24 V AC
- 1 ... 24 V DC
- 2 ... 110 - 127 V AC/DC
- 3 ... 220 - 240 V AC/DC

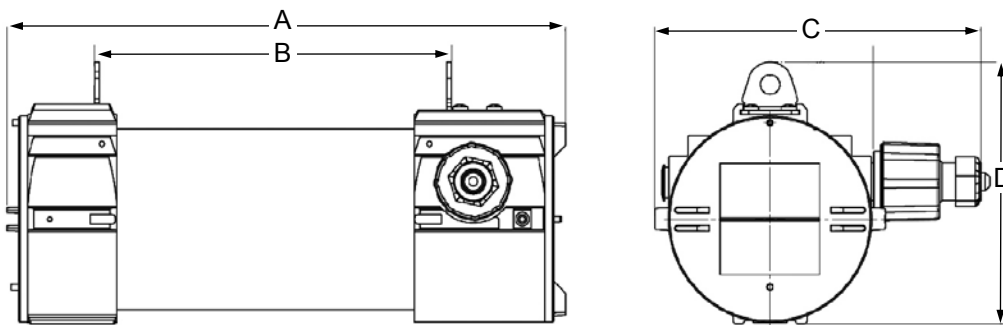
The lamp can operate with two types of connection:

- Maintained (Dauerschaltung)
- Non maintained (Bereitschaftschaltung)

#### ISOCANDELA CURVE [I/cd]





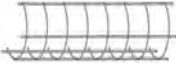



## DIMENSION DRAWING (mm)



A	B	C	D
375	240	220	174

## SPARE PARTS AND ACCESSORIES

SKETCH	DESCRIPTION	CODE	SKETCH	DESCRIPTION	CODE
	Cover gasket FLX	FLX 10-120		External reflector FLX	FLX LED 20-150
	Base plate FLXE	FLXE 10-130		FLX Wall / ceiling mounting set	FLX 20-170
	Protective grid FLXE set	FLXE 20-140		FLX Pipe mounting set	FLX 20-180

All technical data is relevant at the time of print.