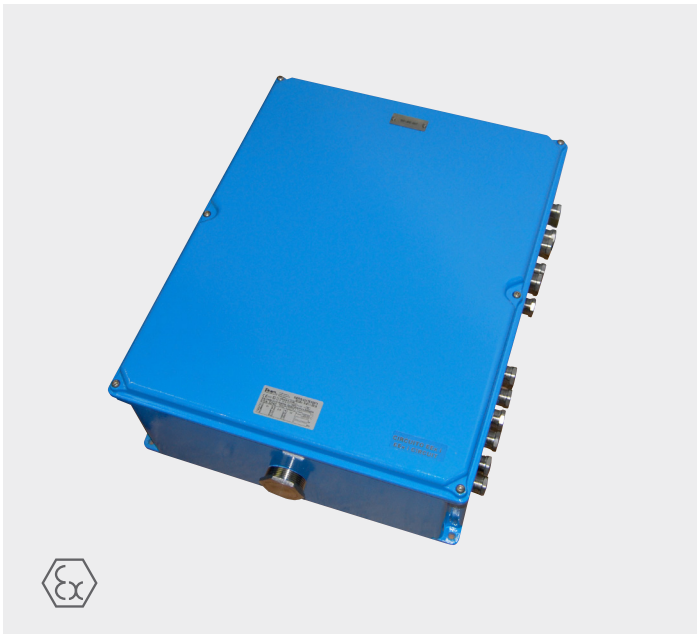


# ESA

## Junction boxes



### Installation

hazardous areas - Zone 1 / 2 (Gases) - Zone 21 / 22 (Dusts)

### Classification

Group II - Category 2G 2D

### Reference standards

| Directive 2014/34/EU            |   |
|---------------------------------|---|
| Execution                       | Ⓜ II 2 G Ex e IIB or IIC T6 ÷ T3 Gb<br>Ⓜ II 2 D Ex tb IIIC T85 °C ÷ T200 °C Db  |
| Rules of compliance             | EN/IEC 60079-0;<br>EN/IEC 60079-1;<br>EN/IEC 60079-7;<br>EN/IEC 60079-11;<br>EN/IEC 60079-18;<br>EN/IEC 60079-31  |
| EC Type-Examination Certificate | INERIS 02 ATEX 0067X  |
| Protection degree               | IP66  |
| Ambient temperature             | -60 °C ÷ +60 °C<br>(+160°C with ceramic terminals)  |
| Other available certificates    | Component: INERIS 13 ATEX 9028U<br>IECEX: IECEX INE11.0016<br>INMETRO: CEPTEL 12.2159<br>EAC: TC RU C-IT.ГБ02.B.00689/18<br>RUSSIAN MARINE CERTIFICATE (RMRS): 19.02521.280<br>NEC 505: UL 20141112-E465037 - Type rating NEMA 1, 12, 4 and 4X<br>CCC: 2020322304003435<br>ECASEx: 20-04-10104/Q20-04-000114<br>RINA: ELE045823CS |

### Mechanical characteristics

|                |                                    |
|----------------|------------------------------------|
| Body           | marine grade copper free aluminium |
| Cover          | marine grade copper free aluminium |
| Screws         | stainless steel                    |
| Gaskets        | silicon rubber                     |
| Internal plate | aluminium                          |

### On Request Accessories

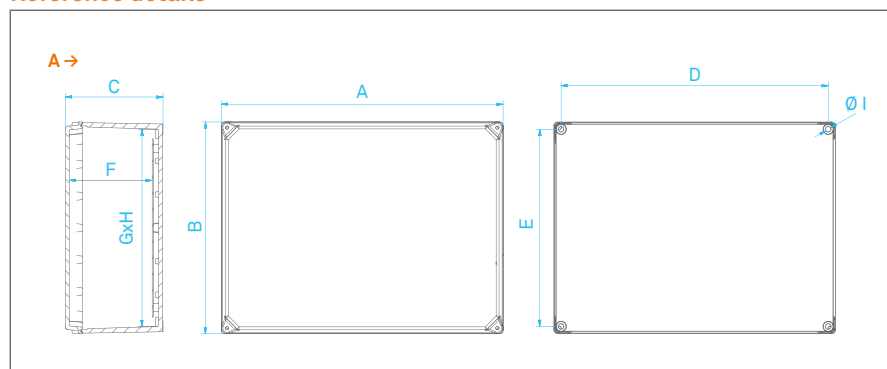
- External epoxy painting with colour on request
- Internal anticondensate painting orange RAL-2004
- Drain and breather valves



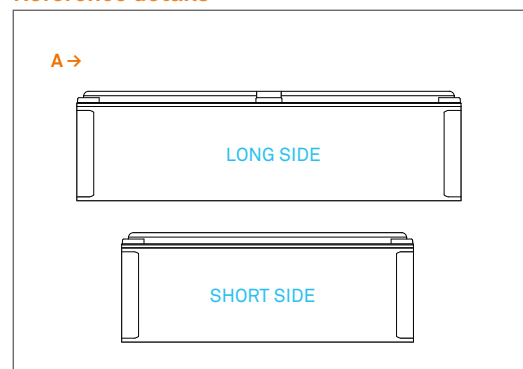
**Technical features**

| Code    | A [mm] | B [mm] | C [mm] | D [mm] | E [mm] | F [mm] | G [mm] | H [mm] | I [mm] | Int. plate X - Y [mm] | Weight [kg] | Detail |
|---------|--------|--------|--------|--------|--------|--------|--------|--------|--------|-----------------------|-------------|--------|
| ESA1313 | 130    | 130    | 87     | 115    | 115    | 70     | 112    | 112    | 6      | 110 - 70              | 1,20        | A      |
| ESA1717 | 170    | 170    | 97     | 155    | 155    | 81     | 151    | 151    | 6      | 150 - 150             | 1,50        | A      |
| ESA2216 | 220    | 160    | 96     | 205    | 145    | 80     | 141    | 201    | 6      | 200 - 100             | 3,80        | A      |
| ESA2222 | 220    | 220    | 112    | 205    | 205    | 95     | 201    | 201    | 6      | 200 - 200             | 4,40        | A      |
| ESA3322 | 330    | 220    | 123    | 310    | 200    | 103    | 201    | 311    | 8      | 294 - 154             | 6,40        | A      |
| ESA3333 | 330    | 330    | 131    | 310    | 310    | 111    | 311    | 311    | 8      | 290 - 290             | 8,80        | A      |
| ESA4433 | 440    | 330    | 154    | 420    | 310    | 131    | 311    | 421    | 8      | 400 - 290             | 11,40       | A      |
| ESA5242 | 520    | 440    | 183    | 496    | 394    | 159    | 398    | 499    | 8      | 460 - 370             | 20,20       | A      |
| ESA6348 | 630    | 480    | 181    | 615    | 465    | 156    | 459    | 609    | 8      | 550 - 400             | 21,30       | A      |

**Reference details**



**Reference details**



**Body enclosures indicative maximum quantity of holes of the same size**

| Enclosure code | Drilling area long side                              |    |    |    |    |    |   |   |
|----------------|--|----|----|----|----|----|---|---|
|                | Quantity allowed entries for size (from 1 to size 8) |    |    |    |    |    |   |   |
|                | 1  | 2  | 3  | 4  | 5  | 6  | 7 | 8 |
| ESA1313        | 2  | 1  | 1  | 1  | -  | -  | - | - |
| ESA1717        | 5  | 3  | 2  | 2  | 2  | 1  | - | - |
| ESA2216        | 6  | 3  | 3  | 3  | 2  | 2  | - | - |
| ESA2222        | 9  | 5  | 3  | 3  | 3  | 2  | 2 | - |
| ESA3322        | 12   | 7  | 6  | 5  | 4  | 3  | 3 | - |
| ESA3333        | 12   | 7  | 6  | 5  | 4  | 3  | 2 | - |
| ESA4433        | 20   | 14 | 12 | 12 | 6  | 5  | 3 | - |
| ESA5242        | 30   | 18 | 16 | 12 | 12 | 8  | 4 | 3 |
| ESA6348        | 36   | 24 | 18 | 16 | 12 | 10 | 6 | 4 |

| Enclosure code | Drilling area short side                             |    |    |    |    |   |   |   |
|----------------|--|----|----|----|----|---|---|---|
|                | Quantity allowed entries for size (from 1 to size 8) |    |    |    |    |   |   |   |
|                | 1  | 2  | 3  | 4  | 5  | 6 | 7 | 8 |
| ESA1313        | 2  | 1  | 1  | 1  | -  | - | - | - |
| ESA1717        | 5  | 3  | 2  | 2  | 2  | 1 | - | - |
| ESA2216        | 4  | 2  | 2  | 2  | 1  | 1 | - | - |
| ESA2222        | 8  | 5  | 3  | 3  | 3  | 2 | 2 | - |
| ESA3322        | 8  | 5  | 4  | 4  | 3  | 2 | 2 | - |
| ESA3333        | 12   | 7  | 6  | 5  | 4  | 3 | 2 | - |
| ESA4433        | 14   | 10 | 8  | 8  | 4  | 3 | 2 | - |
| ESA5242        | 28   | 18 | 14 | 11 | 10 | 7 | 4 | 1 |
| ESA6348        | 30   | 21 | 15 | 12 | 10 | 8 | 4 | 3 |

**Indicative quantity of terminals and relevant section**

| Code    | Sect. 2,5 [sq/mm] | Sect. 6,0 [sq/mm] | Sect. 10,0 [sq/mm] | Sect. 16,0 [sq/mm] | Sect. 35,0 [sq/mm] | Sect. 50,0 [sq/mm] | Sect. 70,0 [sq/mm] | Sect. 240,0 [sq/mm] | Int. plate X - Y [mm] |
|---------|-------------------|-------------------|--------------------|--------------------|--------------------|--------------------|--------------------|---------------------|-----------------------|
| ESA1313 | 10 x 1            | 5 x 1             | 4 x 1              | 4 x 1              | 3 x 1              | 2 x 1              | 1 x 1              | -                   | 112 - 70              |
| ESA1717 | 20 x 1            | 10 x 1            | 8 x 1              | 8 x 1              | 6 x 1              | 3 x 1              | 2 x 1              | 1 x 1               | 150 - 150             |
| ESA2216 | 30 x 1            | 18 x 1            | 14 x 1             | 10 x 1             | 8 x 1              | 3 x 1              | 2 x 1              | 1 x 1               | 200 - 100             |
| ESA2222 | 30 x 1            | 18 x 1            | 14 x 1             | 10 x 1             | 8 x 1              | 4 x 1              | 2 x 1              | 2 x 1               | 200 - 200             |
| ESA3322 | 46 x 1            | 26 x 1            | 22 x 1             | 18 x 1             | 14 x 1             | 10 x 1             | 6 x 1              | 2 x 1               | 294 - 154             |
| ESA3333 | 46 x 2            | 24 x 2            | 22 x 2             | 16 x 2             | 14 x 2             | 10 x 1             | 8 x 1              | 3 x 1               | 290 - 290             |
| ESA4433 | 70 x 2            | 40 x 2            | 32 x 2             | 26 x 2             | 20 x 2             | 14 x 2             | 10 x 1             | 4 x 1               | 400 - 290             |
| ESA5242 | 70 x 3            | 44 x 3            | 34 x 3             | 30 x 3             | 22 x 3             | 18 x 2             | 14 x 1             | 6 x 1               | 460 - 370             |
| ESA6348 | 90 x 3            | 56 x 3            | 44 x 3             | 40 x 3             | 28 x 3             | 24 x 2             | 20 x 1             | 10 x 1              | 550 - 400             |

REMARK:

Due to the development of the national and international specifications and of the technology, the above technical characteristics showed on this bulletin can be considered as binding on our confirmation only.