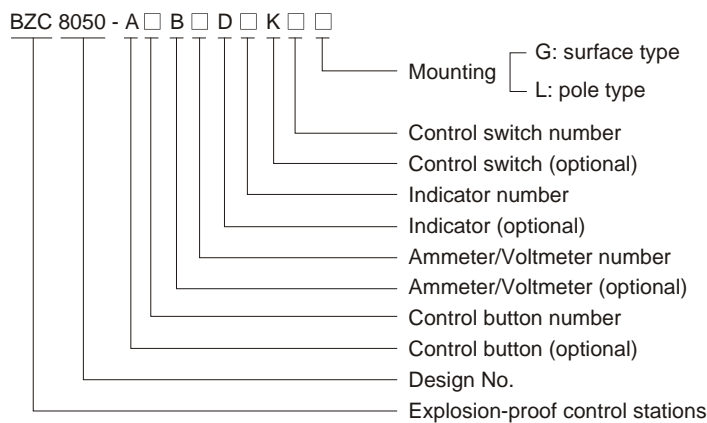




Control Stations (Aluminium Alloy) BZC8050 Series Explosion-proof Control Stations

- ◆ Explosion protection to
 - CENELEC
 - IEC
 - NEC
- ◆ Can be used in
 - Zone 1 and Zone 2
 - Zone 21 and Zone 22
- ◆ Copper-free aluminium enclosure; powder coated external surface.
- ◆ Seven enclosure types

■ Catalogue number logic



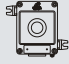
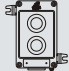
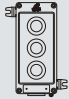
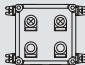

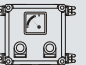
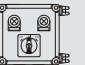
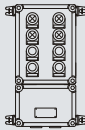
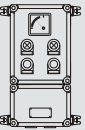
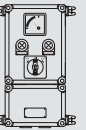
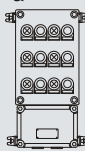
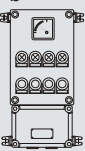





■ Note

1. Please refer to the Selection Table on P4/29.
2. Please select internal components as below:
 - BA8050 explosion-proof control button selection table on P4/36-39 (Nominal contact is 1NO+1NC)
 - BD8050 explosion-proof indicator selection table on P4/40-42
 - BK8050 explosion-proof control switch selection table on P4/43-48
 - BB8050 explosion-proof ammeter/voltmeter selection table on P4/49-51
3. Example: BZC8050-A2D2G
 - Components: Two control buttons , two indicators; surface type
 - Tech. Details: One control start button (40092B + 40090-1+40091-1, green, 1NO+1NC);
 - One control stop button (40092A+ 40090-1+40091-1, red, 1NO+1NC);
 - One indicator (40116+40100-2, green, 230V AC);
 - One indicator (40115+40099-2, red, 230V AC)
4. Special requirements on request.

Zones 1&2; 21&22

Control Stations (Aluminium Alloy) BZC8050 Series Explosion-proof Control Stations

Control station BZC8050 (aluminium alloy) selection table

Enclosure type	Components arrangement	Cable entries and direction	Ordering code	Enclosure weight (kg)
I		1-M25 x 1.5 Bottom entry	40079	0.65
II		1-M25 x 1.5 Bottom entry	40080	0.85
III		1-M25 x 1.5 Bottom entry	40081	1.10
IV	   	2-M25 x 1.5 Bottom entry	40082.....	3.75
V	  	1-M32 x 1.5 or 2-M25 x 1.5 Bottom entry	40083.....	6.50
VI	  	1-M40 x 1.5 or 2-M32 x 1.5 or 4-M25 x 1.5 Bottom entry	40084.....	9.00
VII	   	1-M40 x 1.5 or 2-M32 x 1.5 or 6-M25 x 1.5 Bottom entry	40085.....	13.70



Control Stations (Aluminium Alloy)

BZC8050 Series Explosion-proof Control Stations

Technical data

Explosion-proof control stations BZC8050 (aluminium alloy)

Explosion protection

Gas explosion protection

Ex II 2 G Ex de IIC T6 Ex de IIC T6 Gb

Dust explosion protection

Ex tD A21 T80°C IP65

Certificates

For gas explosion protection

LCIE 09 ATEX 3099; IECEx CQM 11. 0029; BVC10.0205 (Brazil); FM (USA)

For dust explosion protection

PCEC (China)

Conformity to standards

EN 60079-0:2006, EN 60079-1:2004, EN 60079-7:2007

IEC 60079-0:2007, IEC 60079-1:2007, IEC 60079-7:2006

IEC 61241-0:2004, IEC 61241-1:2004

Enclosure material

Copper-free aluminium; powder coated external surface

Enclosure colour

Window grey (RAL7040)

Exposed fastener

Stainless steel

Rated voltage

Max. 415V AC

Rated current

10A

Degree of protection

IP65

Ambient temperature

-20°C ~ +55°C

Components

1. BA8050 explosion-proof control button technical data on P4/36~39;

2. BD8050 explosion-proof indicator technical data on P4/40~42;

3. BK8050 explosion-proof control switch technical data on P4/43~48;

4. BB8050 explosion-proof ammeter/voltmeter technical data on P4/49~51.

Cable entries

M□ x 1.5 plug, please see the Selection Table on P4/29

Cable gland (optional)

DQM-I (Ex e) is recommended. Please see P7/17~19.

Mounting

Surface type

Pole type (for enclosure IV, V, VI only)

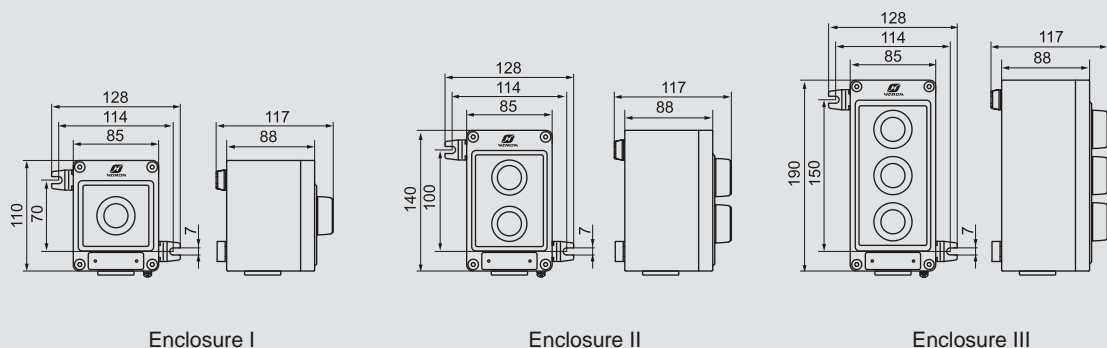
Note

1. Please specify the number and size of entries (applicable for surface type only).

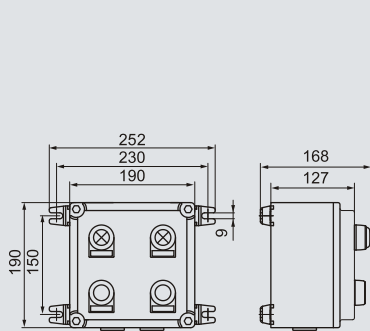
2. For pole type, only G1" entry is applicable.



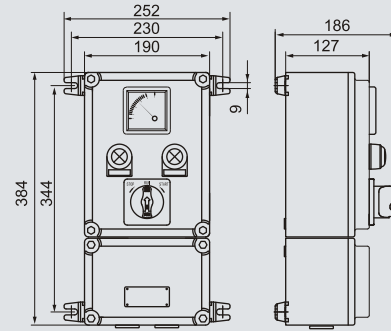
Dimension drawings (all dimensions in mm) - subject to alteration



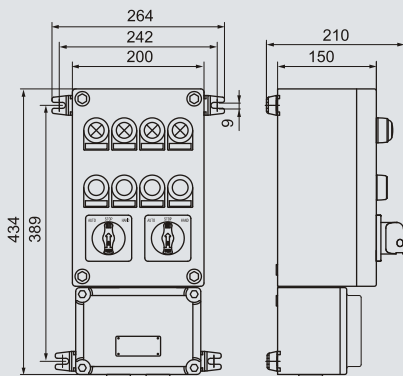
Dimension drawings (all dimensions in mm) - subject to alteration



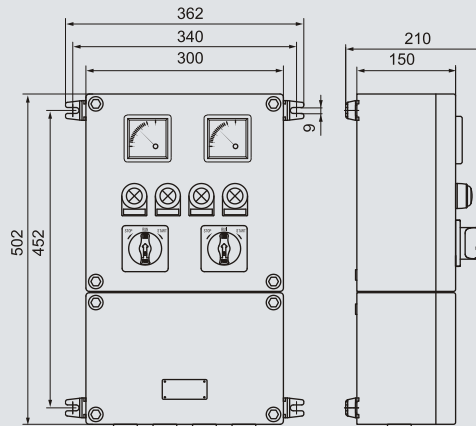
Enclosure IV



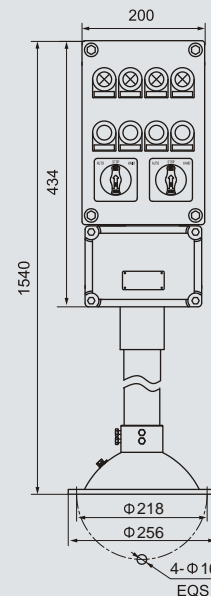
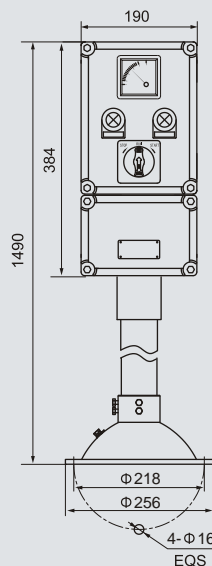
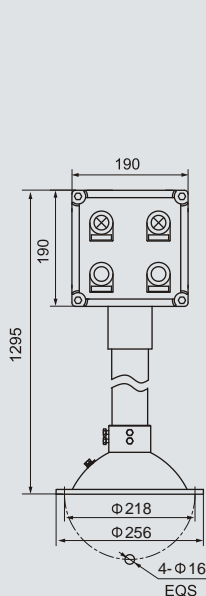
Enclosure V



Enclosure VI



Enclosure VII



Pole type(for enclosure IV, V, VI only)

