

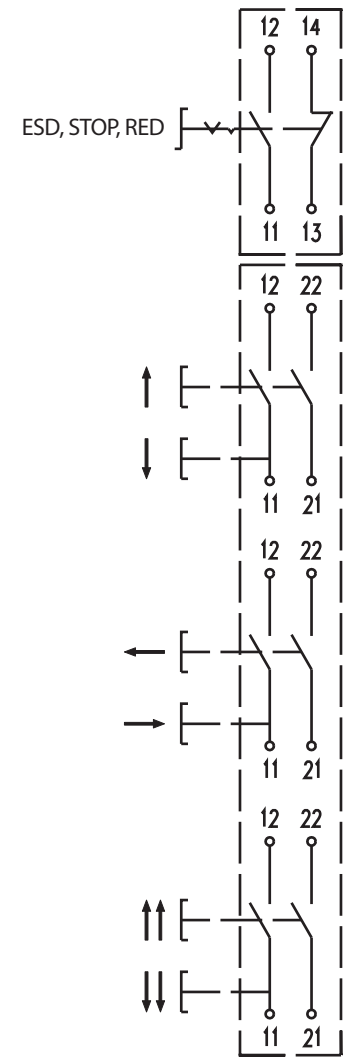
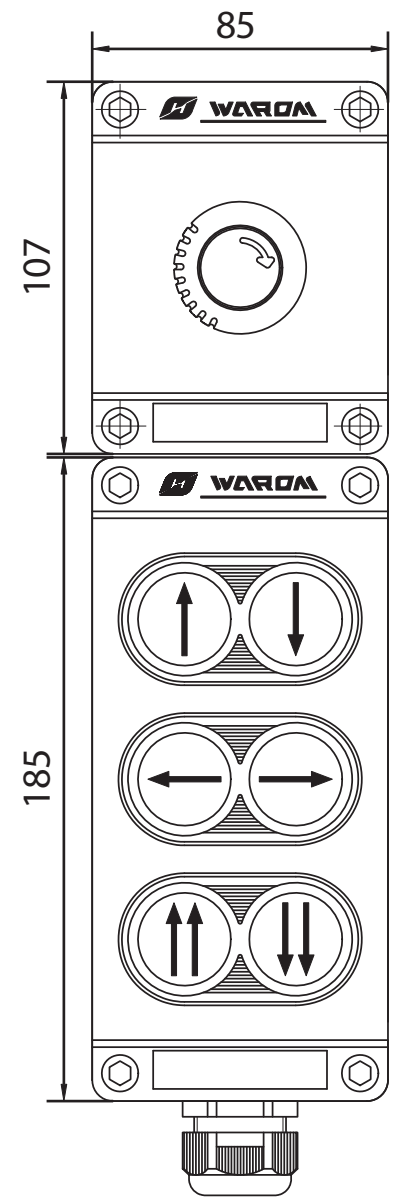
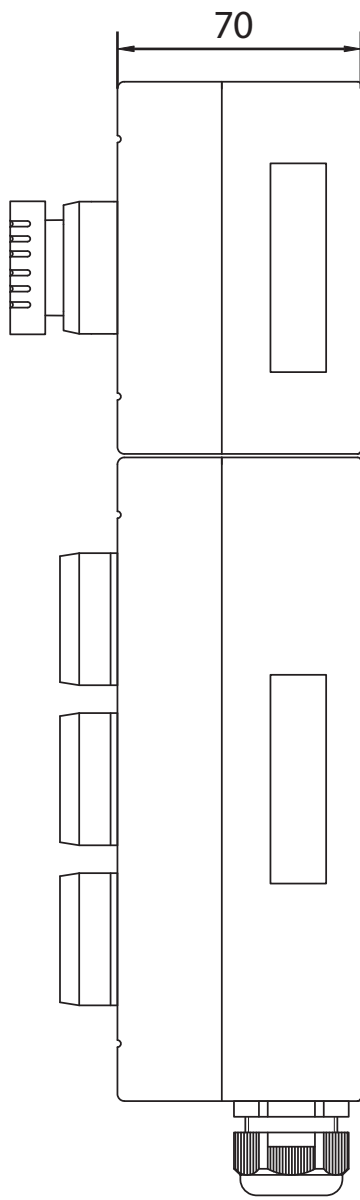
A B C D E F G H I J K L M



NO	NAME	MODEL	QTY	REMARK
1	Double control button	BA8060	3	Warom, 2 NO, Green
2	Emergency control button	BA8050-40096	1	Warom, 1 NC+1NO, Red

Technical requirements:
 1. Enclosure is made of GRP, black;
 2. Ex-mark: Ex II 2 G Ex d e IIC T6 Gb;
 3. Degree of protection: IP65;
 4. gland: DQM-I, plastic, cable wiring, unarmored.

OD of gland:
 M25x1,5: Ø9÷16mm



WAROM TECHNOLOGY INCORPORATED COMPANY
 555 Baoqian Road, Jiading, Shanghai, China
 Tel: 86-021-39977085, 86-021-39977086 Fax: 86-021-39977077

Explosion-Proof Control Unit Systems
BZA8050-A4



A B C D E F G H I J K L M