



**Installation:** hazardous areas - Zone 1 / 2 (Gases) - Zone 21 / 22 (Dusts)  
**Classification:** Group II - Category 2G 2D



**REFERENCE STANDARDS**

**Directive 2014/34/EU**

EXECUTION	⊕ II 2 G Ex d e ia/ib mb IIC T6 or T3 Gb ⊕ II 2 D Ex tb IIIC T85°C or T100°C Db
RULES OF COMPLIANCE	EN/IEC 60079-0; EN/IEC 60079-1; EN/IEC 60079-7; EN/IEC 60079-11; EN/IEC 60079-18; EN/IEC 60079-31
EC Type-Examination Certificate	INERIS 13 ATEX 0041X
PROTECTION DEGREE	IP66
AMBIENT TEMPERATURE	-50°C ÷ +60°C
OTHER AVAILABLE CERTIFICATES	Component: INERIS 13 ATEX 9007U IECEx: IECEx INE 13.0057X IECEx (component): IECEx INE 13.005U INMETRO: CEPEL 13.2286 INMETRO (component): CEPEL 13.2272U EAC: TC RU C-IT.Г508.B.01468 RINA: ELE137217CS001 RUSSIAN MARINE CERTIFICATE (RMRS): 13.03524.315 NEC 505: UL 20140131-E356725 - Type rating NEMA 1, 12, 4 and 4X

**Mechanical characteristics**

Body	glass fibre reinforced polyester resin
Cover	glass fibre reinforced polyester resin
Screws	external - stainless steel
Internal plate	aluminium sp. 1,5mm
Gasket	silicon rubber
Strenght	4 Joule impact resistance



**On Request Accessories:**

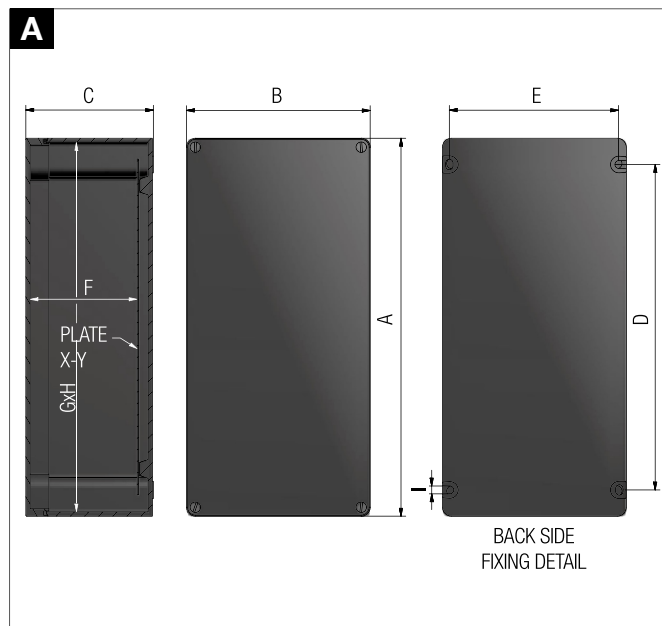
- Drain and breather valves

**Technical Features**

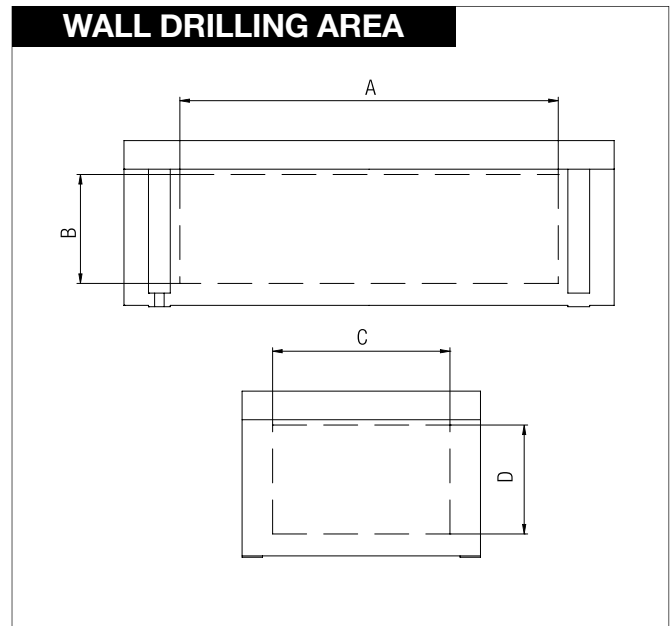
CODE	A [mm]	B [mm]	C [mm]	D [mm]	E [mm]	F [mm]	G [mm]	H [mm]	I [mm]	INT. PLATE X - Y [mm]	WEIGHT [Kg]	DETAIL
AS11(1)	110	110	86	96	96	65	102	102	7	-	0,30	A
AS14(1)	140	140	84	108	110	62	132	132	7	-	0,40	A
AS21(1)	175	85	121	125	72	102	167	77	7	-	0,88	A
AS22(1)	175	175	121	162	125	100	167	167	7	135 - 135	1,25	A
AS42(1)	360	175	121	310	161	102	352	167	7	320 - 135	2,50	A
AS44(1)	360	360	121	346	307	102	352	352	7	320 - 320	3,40	A
AS84(1)	730	360	168	670	340	147	720	350	8	670 - 310	8,00	A

(1) Enclosure's colour: B= Light blue RAL 5015. Example: AS42B. Without indication= Black RAL 9005. Example: AS14

**Reference Details**



**Reference Details**



**Body enclosures indicative maximum quantity of holes of the same size**

ENCLOSURE CODE	DRILLING AREA A-B							
	QUANTITY ALLOWED ENTRIES FOR SIZE (from 1 to size 8)							
	1	2	3	4	5	6	7	8
AS11	1	1	1	1	-	-	-	-
AS14	2	1	1	1	-	-	-	-
AS21	4	2	2	2	1	1	1	-
AS22	5	3	2	2	1	1	1	-
AS42	12	8	7	5	4	4	3	-
AS44	12	8	7	5	4	4	3	-
AS84	35	23	20	17	13	9	7	5

ENCLOSURE CODE	DRILLING AREA C-D							
	QUANTITY ALLOWED ENTRIES FOR SIZE (from 1 to size 8)							
	1	2	3	4	5	6	7	8
AS11	1	1	1	-	-	-	-	-
AS14	2	1	1	1	-	-	-	-
AS21	2	-	-	-	-	-	-	-
AS22	5	3	2	2	1	1	1	-
AS42	5	3	2	2	1	1	1	-
AS44	12	8	7	5	4	4	3	-
AS84	17	11	9	8	6	4	3	2

**Indicative quantity of terminals and relevant section**

CODE ENCLOSURE	SECT. 2,5 [sq/mm]	SECT. 6,0 [sq/mm]	SECT. 10,0 [sq/mm]	SECT. 16,0 [sq/mm]	SECT. 35,0 [sq/mm]	SECT. 50,0 [sq/mm]	SECT. 70,0 [sq/mm]	SECT.240,0 [sq/mm]	INT.PLATE X - Y [mm]
AS11	12 x 1	8 x 1	6 x 1	5 x 1	3 x 1	-	-	-	-
AS14	18 x 1	10 x 1	8 x 1	7 x 1	5 x 1	-	-	-	-
AS21	18 x 1	10 x 1	8 x 1	7 x 1	5 x 1	-	-	-	-
AS22	18 x 2	10 x 2	10 x 1	8 x 1	6 x 1	4 x 1	4 x 1	-	135 - 135
AS42	48 x 2	16 x 2	16 x 2	20 x 1	12 x 1	4 x 1	4 x 1	-	320 - 135
AS44	48 x 3	37 x 3	34 x 3	29 x 3	12 x 2	16 x 1	16 x 1	4 x 1	320 - 320
AS84	92 x 3	74 x 3	68 x 3	58 x 3	32 x 2	32 x 2	32 x 2	14 x 1	670 - 310