



# INSTALLATION INSTRUCTIONS FOR A2FFC CONDUIT GLAND

CONDUIT GLAND FOR USE WITH UNARMoured AND BRAID ARMoured CABLES IN  
EXPLOSIVE ATMOSPHERES

INCORPORATING EU DECLARATION OF CONFORMITY TO DIRECTIVE [2014/34/EU]

## CONDUIT GLAND TYPE A2FFC



### TECHNICAL DATA

CABLE GLAND TYPE : A2FFC  
INGRESS PROTECTION : IP66, NEMA 4X  
PROCESS CONTROL SYSTEM : BS EN ISO 9001  
ISO/IEC 80079-34:2011

### EXPLOSIVE ATMOSPHERES CLASSIFICATION

ATEX CERTIFICATION No : SIRA 13ATEX1068X, SIRA 13ATEX4074X  
ATEX CERTIFICATION CODE : II 2G II 1D Ex d IIC Gb, Ex e IIC Gb, Ex ta IIC Da  
IECEx CERTIFICATION No : IECEx SIR 13.0023X  
IECEx CERTIFICATION CODE : Ex d IIC Gb, Ex e IIC Gb, Ex nR IIC Gc, Ex ta IIC Da, Ex d I Mb, Ex e I Mb  
CSA CERTIFICATION No : 1211841  
CSA CERTIFICATION CODE : Ex d IIC, Ex e II, Ex nR II, Enclosure Type 4X

### INSTALLATION INSTRUCTIONS

Installation should only be performed by a competent person using the correct tools. Spanners should be used for tightening. Read all instructions before beginning installation.

### SPECIAL CONDITIONS FOR SAFE USE

When assembled for fitting to flexible conduit, the conduit shall be effectively clamped to prevent twisting and pulling.

### ACCESSORIES

The following accessories are available from CMP Products, as optional extras, to assist with fixing, sealing and earthing :-  
Locknut, Earth Tag, Serrated Washer, Entry Thread (I.P) Sealing Washer, Shroud

Cable Gland Size	Entry Threads	Thread Length (Metric) (Alternate Metric Thread Lengths Available)	Diameter of Cable		Specific Internal Diameter of Conduit	Maximum External Diameter of Conduit	Across Flats		Across Corners	Protrusion Length	Maximum Envelope Diameter	Combined Ordering Reference (*Brass Metric)			Cable Gland Weight (Kgs)
			Min	Max			Max	Max				Size	Type	Ordering Suffix	
20S16	M20 x 1.5	15.0	3.2	4.1	5.1	12.0	24.0	26.4	33.2	26.4	20S16	A2FFC	1RAC000	0.09	
20S16	M20 x 1.5	15.0	3.2	5.2	6.8	13.0	24.0	26.4	33.2	26.4	20S16	A2FFC	1RAC001	0.09	
20S16	M20 x 1.5	15.0	3.2	5.5	7.8	13.0	24.0	26.4	33.2	26.4	20S16	A2FFC	1RAC004	0.09	
20S16	M20 x 1.5	15.0	3.2	8.0	9.1	15.0	24.0	26.4	33.2	26.4	20S16	A2FFC	1RAC009	0.08	
20S16	M20 x 1.5	15.0	3.2	8.1	9.5	15.0	24.0	26.4	33.2	26.4	20S16	A2FFC	1RAC010	0.09	
20S16	M20 x 1.5	15.0	3.2	8.1	10.2	16.0	24.0	26.4	33.2	26.4	20S16	A2FFC	1RAC020	0.09	
20S16	M20 x 1.5	15.0	3.2	8.1	10.9	17.0	24.0	26.4	33.2	26.4	20S16	A2FFC	1RAC025	0.09	
20S16	M20 x 1.5	15.0	3.2	8.1	11.7	17.4	24.0	26.4	33.2	26.4	20S16	A2FFC	1RAC030	0.09	
20S	M20 x 1.5	15.0	6.1	11.4	13.0	20.0	24.0	26.4	33.1	26.4	20S	A2FFC	1RAC040	0.09	
20S	M20 x 1.5	15.0	6.1	11.7	13.9	20.0	24.0	26.4	33.1	26.4	20S	A2FFC	1RAC045	0.09	
20S	M20 x 1.5	15.0	6.1	11.7	14.7	21.5	24.0	26.4	33.1	26.4	20S	A2FFC	1RAC060	0.09	
20	M20 x 1.5	15.0	6.5	13.1	15.6	21.6	27.0	29.7	35.4	29.7	20	A2FFC	1RAC050	0.10	
20	M20 x 1.5	15.0	6.5	14.0	16.9	23.4	27.0	29.7	35.4	29.7	20	A2FFC	1RAC066	0.10	
20	M20 x 1.5	15.0	6.5	14.0	18.0	24.0	27.0	29.7	35.4	29.7	20	A2FFC	1RAC070	0.10	
20	M20 x 1.5	15.0	6.5	14.0	18.7	25.0	27.0	29.7	35.4	29.7	20	A2FFC	1RAC075	0.10	
20	M20 x 1.5	15.0	6.5	14.0	20.0	26.3	27.0	29.7	35.4	29.7	20	A2FFC	1RAC080	0.12	
20	M20 x 1.5	15.0	6.5	14.0	20.5	28.0	27.0	29.7	35.4	31.0	20	A2FFC	1RAC085	0.11	
25	M25 x 1.5	15.0	11.1	15.3	17.6	25.0	36.0	39.6	43.1	39.6	25	A2FFC	1RAC100	0.16	
25	M25 x 1.5	15.0	11.1	18.4	20.7	27.0	36.0	39.6	43.1	39.6	25	A2FFC	1RAC105	0.16	
25	M25 x 1.5	15.0	11.1	19.0	22.3	28.5	36.0	39.6	43.1	39.6	25	A2FFC	1RAC110	0.17	
25	M25 x 1.5	15.0	11.1	20.0	23.7	32.0	36.0	39.6	43.1	39.6	25	A2FFC	1RAC115	0.18	
25	M25 x 1.5	15.0	11.1	20.0	25.1	31.0	36.0	39.6	43.1	39.6	25	A2FFC	1RAC120	0.17	
25	M25 X 1.5	15.0	11.1	20.0	26.5	35.0	36.0	39.6	43.1	39.6	25	A2FFC	1RAC180	0.18	
32	M32 x 1.5	15.0	17.0	26.0	28.1	35.8	41.0	45.1	43.1	45.1	32	A2FFC	1RAC250	0.21	
32	M32 x 1.5	15.0	17.0	26.3	30.4	38.0	41.0	45.1	43.1	45.1	32	A2FFC	1RAC280	0.21	
32	M32 x 1.5	15.0	17.0	26.3	34.6	45.0	41.0	45.1	43.6	48.0	32	A2FFC	1RAC290	0.25	
40	M40 x 1.5	15.0	23.5	32.2	36.4	45.0	50.0	55.0	45.1	55.0	40	A2FFC	1RAC300	0.28	
40	M40 x 1.5	15.0	23.5	32.2	40.0	49.0	50.0	55.0	45.1	55.0	40	A2FFC	1RAC380	0.30	
50S	M50 x 1.5	15.0	31.0	38.2	46.5	58.7	55.0	60.5	43.8	63.7	50S	A2FFC	1RAC450	0.48	
50S	M50 x 1.5	15.0	31.0	38.2	51.2	61.0	55.0	60.5	43.8	65.0	50S	A2FFC	1RAC500	0.49	
50	M50 x 1.5	15.0	35.6	44.0	51.2	61.0	60.0	66.0	48.0	66.0	50	A2FFC	1RAC550	0.49	

\*Note : For material options please add the following suffix to change the Ordering Reference : Brass (no suffix required), Nickel Plated Brass "S", 316 Grade Stainless Steel "4", Copper Free Aluminium "1"  
For NPT options please add the following digits to the material suffix : 1/2" = 31, 3/4" = 32, 1" = 33, 1 1/4" = 34, 1 1/2" = 35, 2" = 36, 2 1/2" = 37, 3" = 38, 3 1/2" = 39 (Brass requires prefix "0")

Examples : 32A2FFC1RA534C290 = Nickel Plated Brass 1-1/4" NPT suitable for conduit sized 35.0 ID - 43.0 OD, 50SA2FFC1RA035C500 = Brass 1-1/2" NPT, 20A2FFC1RAS075 = Nickel Plated Brass M20 suitable for conduit sized 18.7 ID - 24.0 OD

Dimensions are displayed in millimetres unless otherwise stated

Note: Standard Seal (Black) Temperature Range = -60°C to +130°C,

High Temperature Seal (Brown) Temperature Range = -20°C to +200°C for High Temperature Seal add 'HT' to Ordering Reference after Gland Type e.g. 20SA2FFCHT1RAC025.

CMP Products Limited on its sole responsibility declares that the equipment referred to herein conforms to the requirements of the ATEX Directive 2014/34/EU and the following standards:-

EN 60079-0:2012, EN 60079-1:2007, EN 60079-7:2007, EN 60079-15:2010, EN 60079-31:2009, BS 6121:1989, EN 62444:2013

*David Willcock*

David Willcock - Certification Engineer (Authorised Person)

CMP Products Limited, Cramlington, NE23 1WH, UK

24th June 2015



CE 0518

Glasshouse Street • St. Peters • Newcastle upon Tyne • NE6 1BS

Tel: +44 191 265 7411 • Fax: +44 1670 715 646

E-Mail: customerservices@cmp-products.co.uk • Web: www.cmp-products.com



Notified Body: Sira Certification Service, Uni 6, Hawarden Industrial Park, Hawarden, CH5 3US, UK

www.cmp-products.com

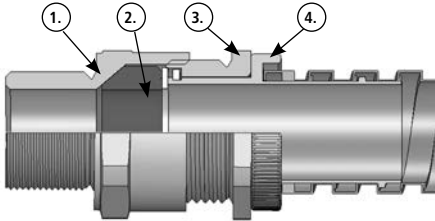


Logo's shown for illustration purposes only. Please check certification for details

# INSTALLATION INSTRUCTIONS FOR CMP CABLE GLAND TYPES A2FFC

CABLE GLAND COMPONENTS - It is not necessary to dismantled the cable gland any further than illustrated below

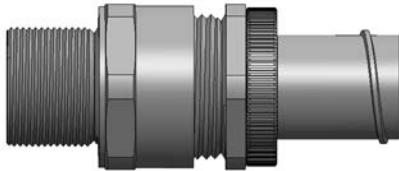
- 1. Entry Item
- 2. Seal
- 3. Seal Nut
- 4. Conduit Anchor



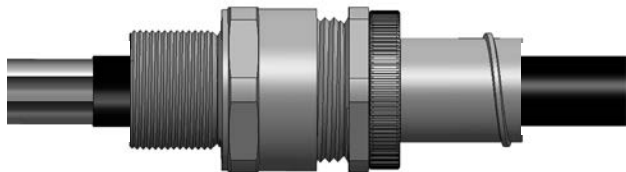
## PLEASE READ ALL INSTRUCTIONS CAREFULLY BEFORE BEGINNING THE INSTALLATION

There is no need to disassemble the gland in order to fit it to the conduit.

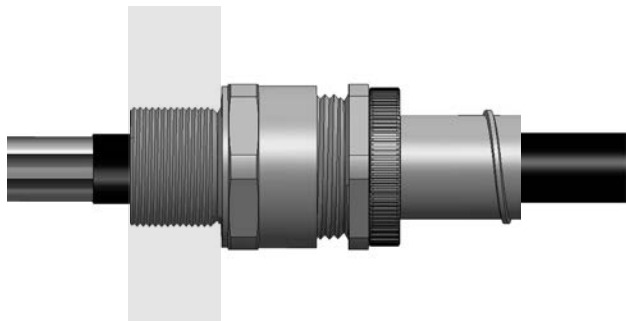
- 1. Slacken the seal nut (3) to relax the seal.



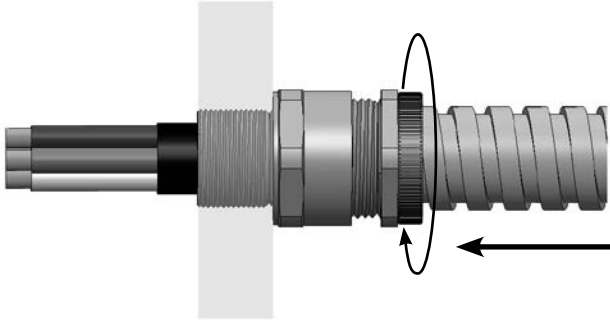
- 2. Pass enough cable through the seal (2) to suit the installation.



- 3. Fit the gland into the equipment and fully tighten the entry item (1).



- 4. Bring the conduit into engagement with the conduit anchor (4) and then screw the anchor into the conduit until it is fully engaged.



- 5. Tighten the seal nut (3) by hand until resistance is felt (when the seal engages the cable) and then tighten further one full turn with a spanner.

